



HETAS Approved
Training Courses



SCHIEDEL

www.schiedel.com/uk

SAP Issue 2 940003373 April 2019

An Introduction to Schiedel Chimney Systems

Schiedel Chimney Systems is the leading supplier of chimney systems in Europe and the UK with the widest range of chimneys and the widest choice of materials, stainless steel, pumice and ceramic.

Full details of all our products can be found at www.schiedel.com/uk

Our technical knowledge of chimneys and flues is already widely respected and now we have teamed up with HETAS to provide a comprehensive range of HETAS Approved Training Courses at our Schiedel Training Academy in Washington, Tyne & Wear. The training is all carried out by HETAS Approved Trainers.

HOW TO FIND US

Leave the A1 at Junction 64, A195, and follow signs for the Holiday Inn. Go past the Holiday Inn into Crowther Estate. Schiedel Chimney Systems is on the right.

The postcode is NE38 0AQ.

HOTELS NEARBY

Holiday Inn - Washington (Emerson Washington NE37 1LB)

Tel: 0191 418 94 40

Email: reservations-washington@ihg.com

Premier Inn - Newcastle (Emerson Washington NE37 1LB)

Tel: 0871 527 91 36

Travelodge - Washington A1(M) Southbound

Tel: 0871 984 6271

Travelodge - Washington A1(N) Northbound

Tel: 0871 984 6270

Courses Available

All courses are designed and approved by HETAS.

STANDARD COURSES

H001 Introduction to Solid Fuel	4
H002 Solid Fuel Regulations & Standards	5
H003 Dry Appliance Installer Course	6
H003 Access Course - Solid Fuel Plus	7
H004 Wet Appliance Installer Course	8
H005 DE Biomass Direct Entry Course	9
H006 System Chimney Installer Course	12
H008 Dry Pellet Stove Installer Course	13
H009 Service & Maintenance Course	14

RETAILER COURSES

HETAS Approved Retailer Course	15
--------------------------------------	----

REFRESHER COURSES

Background to Refresher Courses	16
H003 Refresher Dry Installer Refresher Course	17
H004 Refresher Wet Installer Refresher Course	18
Other courses, inc. First Aid Courses.....	18

FURTHER INFORMATION

The next steps - Registration with HETAS	19
--	----



H001

Introduction to Solid Fuel

Entry Level | Duration 1 Day

WHO SHOULD ATTEND

This course provides a pathway to anyone beginning a career in solid fuel or interested in a greater understanding of modern solid fuel, its delivery and storage and associated technologies and appliances.

COURSE CONTENT

This new course is an introductory course for anyone interested in solid fuel, wood and biomass technology and is intended to provide a demonstration on the basic operating principles of solid fuel appliances and information on the following:

- The makeup of a wide variety of solid woody and mineral fuels.
- The concepts of heating with solid fuel, wood and biomass.
- The need for rules, regulations and standards in the industry.
- The role of HETAS and its Competent Persons Scheme and the roles of other bodies within the solid fuel industry.
- Identifying and responding to unsafe situations.

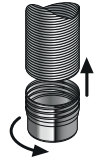
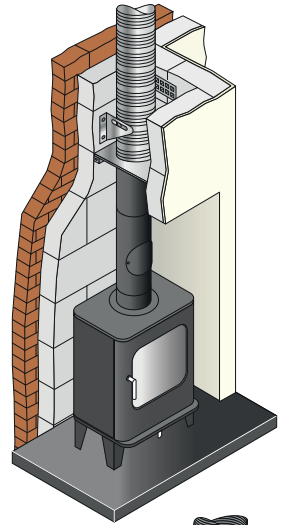
Information will be provided on which other training will be needed to pursue a career in the solid fuel industry and you'll receive a certificate on satisfactory completion of the course.

ENTRY REQUIREMENTS

Candidates require no previous knowledge or experience to attend this course.

QUALIFICATION

All candidates will receive a certificate of Theory Assessment from HETAS.



BOOK ONLINE
www.schiedel.com/uk

H002

Solid Fuel Regulations & Standard

Certified | Duration 2 Days

WHO SHOULD ATTEND

Any specifier or advisory-based occupation including retailer showroom staff, construction professionals, architects, building control officers, environmental health officers, surveyors or anyone in the industry who wishes to be introduced to or requires an update on all the current Building Regulations and standards.

COURSE CONTENT

This new course is intended to provide information on the following:

- The makeup of a wide variety of solid woody and mineral fuels.
- The concepts of heating with solid fuel, wood and biomass.
- Regional variation of Building Regulations.
- Distinguishing between different types of appliance.
- Chimneys, flues and terminals.
- Ascertaining which appliance is suitable for which installation.
- Air supply and ventilation.

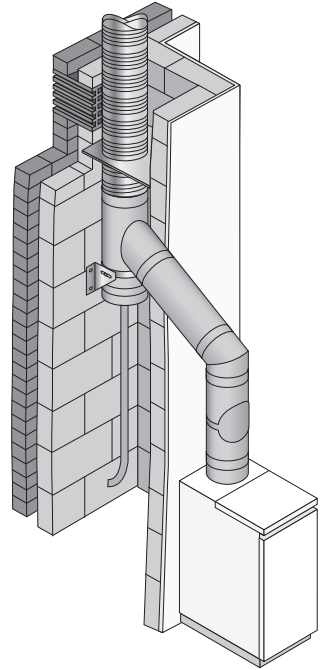
The course will conclude with a theory assessment. Successful completion of this course is certificated and is a pathway to registration as a HETAS Approved Retailer.

ENTRY REQUIREMENTS

Experience in the solid fuel industry or a construction-related profession.

QUALIFICATION

Successful candidates will receive a certificate of competence from HETAS, which is required to apply for registration on the HETAS Approved Retailer Scheme.



BOOK ONLINE
www.schiedel.com/uk

H003

Dry Appliance Installer Course

Practical Assessed | Duration 3 Days

WHO SHOULD ATTEND

This course is for candidates who have relevant experience within the heating/plumbing or construction industries. Successful completion of this course leads to certification that can be used for registration on the HETAS competent person registration scheme for installation of dry appliances (HETAS Registered Installer) and HETAS Approved Chimney sweep status.

COURSE CONTENT

Features information on all the relevant Building Regulations as well as the British and European standards currently used in the solid fuel industry. There will be both theory and practical training on:

- Instruction on all aspects of dry appliance installation.
- The correct installation of hearths and Fireplaces.
- Different types of chimney and connecting Flue pipes.
- Identification of faults and the correct use of terminals.
- Commissioning and servicing of dry solid fuel appliances.

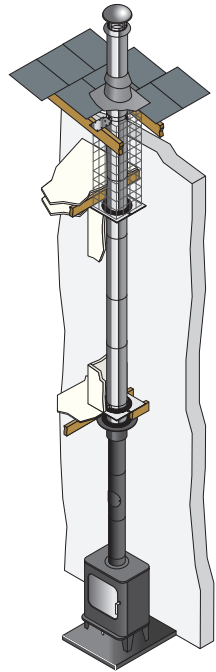
ENTRY REQUIREMENTS

At least one of the following:

1. Demonstrable, appropriate previous work experience on dry stove installations.
2. OFTEC technician with scope of work categories 101, 102 or 105e.
3. Registered Gas Safe operative with work categories CCNI & HTRI.
4. Registered member of GOMCS, APICS or NACS.

QUALIFICATION

Successful candidates will receive a certificate of competence from HETAS, which is required in order to apply for registration on the HETAS Competent Persons Scheme (CPS) for the Installation of Dry Appliances.



BOOK ONLINE
www.schiedel.com/uk

H003ACCS

Solid Fuel Plus Course

The HETAS Introduction to Solid Fuel +Plus course is an opportunity to utilise and apply existing practical skills and learn how to undertake Solid Fuel or Wood burning Stove installation. A combination of training, practical activities and assessment concluding in a portfolio of evidence identifying the experience required to register with HETAS.

This includes all of the information detailed in the H001 and H002 courses, enriched with Practical installation scenario's either on-site evidence or within our realistic working environment. This then allows you to access the H003DS and H006 later in the week.

SOLID FUEL PLUS COURSE

Duration 5 Days

Course Content

H001/ACCESS TO SOLID FUEL – THE LEARNER WILL COVER:

- Scientific principles
- Health and safety at work
- Applying safe working practices
- Roles, responsibilities and procedures
- Legislation
- Types of solid fuel appliances
- Environmental protection measures
- Installation of dry stoves, fire backs and lining of chimneys

H002 – THE LEARNER WILL COVER:

- Fuel types, Storage & Selection.
- Principles of Combustion.
- Causes of Incomplete Combustion & Carbon Monoxide Poisoning.
- Appliance types, Operating Principles & Selection.
- Legislation, Regulations & Industry guidance.
- Flue system & Ventilation requirements for solid fuel appliances.

H003DS – THE LEARNER WILL COVER:

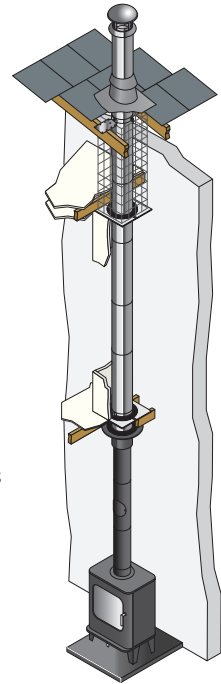
- Flue & Chimney Inspection, testing and fault diagnosis.
- Dry solid fuel appliance; Sizing, Selection, Installation, Commissioning & Decommissioning.
- Dry solid fuel appliance service & maintenance.

H006 – THE LEARNER WILL COVER:

The Installation & Testing of prefabricated metal twin wall rigid chimney systems.

ENTRY REQUIREMENTS

No experience is necessary although it is recommended that you have transferable practical skills when undertaking this combined course



BOOK ONLINE
www.schiedel.com/uk

H004

Wet Appliance Installer Course

Practical Assessed | Duration 1 Day

WHO SHOULD ATTEND

The H004 is suitable for plumbing and heating engineers and dry appliance installers who have already successfully completed the H003 course and wish to extend their competence for the installation of stoves with boilers.

COURSE CONTENT

There will be theory training with a practical context on:

- Wet system design and specification.
- Discussions on the advancements in technology.
- The installation of solid fuel appliances with boilers incorporating vented systems.
- The principles of gravity circulation.
- System controls.
- Integration with other types of wet heating systems.
- Heating system commissioning handover.
- Service and maintenance.

ENTRY REQUIREMENTS

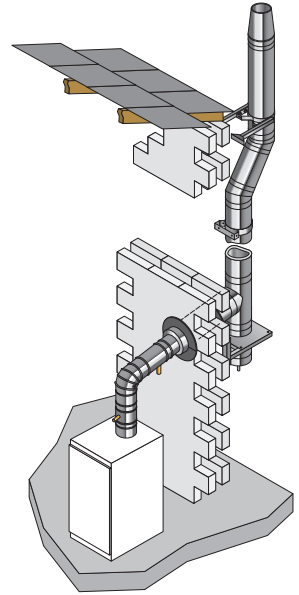
Compulsory. Successful completion of HETAS H003 Dry Appliance Installer course and at least one of the following:

1. Evidence of Oftec 101 or 102.
2. Evidence of Gas Safe Registration - CCNI & CENI
3. Evidence of formal plumbing and heating qualification i.e City & Guilds 6129 and 6089, or QCF 6189 or other suitable award.
4. Evidence of equivalent work experience on wet heating systems.

5. N/SVQ Level 2/3 in plumbing or equivalent earlier certification that provides evidence of competence.

QUALIFICATION

Successful candidates will receive a certificate of competence from HETAS, which is required in order to apply for registration on the HETAS Competent Persons Scheme (CPS) for the Installation of Wet Appliances.



BOOK ONLINE
www.schiedel.com/uk

H005DE

Biomass Direct Entry

Duration 5 Days

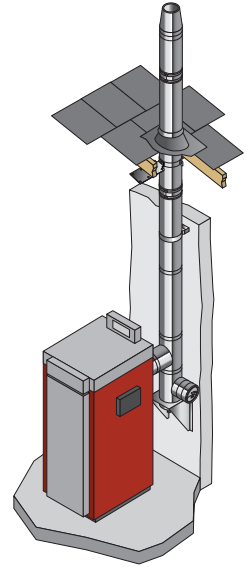
WHO SHOULD ATTEND

This course is for ems-ting installers and HETAS registrants who wish to expand their skills and branch out into the installation of Biomass and batch-fed appliances. Successful completion of the biomass course allows HETAS registrants to extend their registration categories to include installation of biomass appliances including mechanically fed appliances.

COURSE CONTENT

This course enables heating engineers to up skill and deliver professional advice to consumers for the installation of biomass to consumers for the installation of biomass heating systems.

- Delivering a mix of theory and practical study modules for the installation of log, chip and pellet biomass appliances up to 45kW (but may also be appropriate for appliances up to 100kW) including training on:
 - Fuel types and storage options.
 - Feasibility study.
 - Biomass appliance components.
 - Biomass heating system design
 - Calculating the heat load and system performance.
- Pre-installation activities.
- Set to work
- Appliance commissioning
- Handover to customer
- Appliance service and maintenance.
- Appliance decommissioning



ENTRY REQUIREMENTS

OPTION 1 – FORMAL QUALIFICATION ENTRY ROUTE

- N/SVQ Level 2/3 in Plumbing or equivalent earlier certification that provides evidence of competence; or
- N/SVQ Level 2/3 in Heating and Ventilating (Domestic Installation) or equivalent earlier certification that provides evidence of competence; or
- N/SVQ Level 2/3 in Heating and Ventilating (Industrial and Commercial Installation) or equivalent earlier certification that provides

- evidence of competence; or
- N/SVQ Level 2/3 in Oil-Fired Technical Services or equivalent earlier certification that provides evidence of competence; or
- N/SVQ Level 2/3 in Gas Installation and Maintenance or equivalent earlier certification that provides evidence of competence. Including: Water Regulations/Water By-laws (WRAS or equivalent)

OPTION 2 – EXPERIENCED WORKER ROUTE

This is an alternative route for applicants who wish to enrol on the H005DE course without the Option 1 course prerequisites (see above).

Completion of the HETAS Experienced Worker Route Portfolio may provide a suitable option. It is important that the portfolio is completed and approved by the training centre prior to attending a biomass course.

HETAS are not able to provide a course certificate if the portfolio has not been completed and approved.

Applicants are advised to contact their HETAS training centre for more information if this is a desirable route.

In all cases the following are considered:

1. Previous related work experience within the plumbing and heating industry.
2. Already a competent person within a scheme possessing a history

- of installation experience.
3. Successful completion of an OFTEC training course 101, 102 or 105e.
4. A valid current gas safe registration with minimum categories of work CCNI and CENI City & Guilds 6128, 6129 and 6132 technical certificates.

Please Note: Stand-alone Vocationally Related Qualifications (VQRs), including City & Guilds 6128, 6129 and 6132 technical certificates are not acceptable on their own as an alternative to NVQ Level 2 or 3 but may be used to help support completion of the portfolio.

Any queries relating to the acceptability of a qualification for entry to a HETAS course should be raised with the HETAS Training & Certification Manager.

QUALIFICATION

On successful completion of this course candidates are awarded with the National Occupational Standard aligned H005DE certificate.

BOOK ONLINE
www.schiedel.com/uk

SCHIEDEL

The Path to becoming a HETAS R Stove / Chimney Installer



H005DE REQUIREMENTS
N/SVQ Level 2/3 in one of the following
Plumbing / Heating and Ventilation
(Domestic/Industrial/Commercial)
Oil Fired Technical Services
Gas Installation / Maintenance
or Experienced Worker Route
City & Guilds 6128, 6129, 6132

In order to progress
you need at least one of
the following

H001 + Access Course
or evidence based previous stove
experience or OFTEC 101 102
105e or Gas Safe CCN1 HTR1
or Member of GOMCS,
APICS, NAC

Are you a
**BUILDER
PLUMBER**
with
experience?

Registered

H005DE
Can install a
mass system

H006
Can build,
service and maintain
a system chimney

H003
Can reline an
existing chimney, build
an external chimney
and be a registered
chimney sweep

H008
Can install
automated
pellet
systems

H009
Can service
a chimney
installation

H004
Can install
wet systems

H004 REQUIREMENTS
City & Guilds 6128, 6089, or
QCF 6189, or Work experience
on Wet Heating Systems or
N/SVQ Level 2/3 in plumbing
or equivalent

H006

Chimney Systems Installations Course

Certified | Duration 1 Day

COURSE CONTENT

This short course provides training on:

- Design considerations.
- Flues, Chimneys and terminals.
- Installation of twin wall insulated chimney system – stainless steel system chimneys into residential properties.
- The course will discuss system components and good installation practice in relation to the various elements of a residential structure i.e. passing through walls, floors, ceiling and roof spaces as well as terminal location.

WHO SHOULD ATTEND

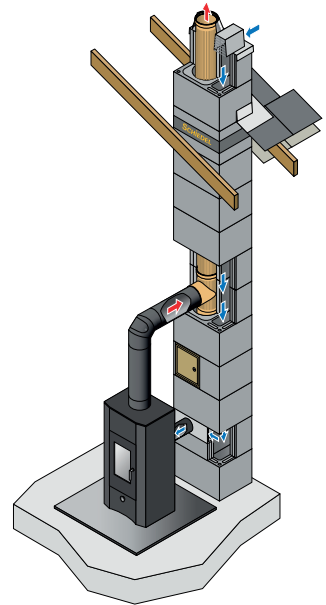
Registered installers wishing to expand their competencies to include design, installation and notification of internal chimneys system into residential properties. Also suitable for construction professionals looking to learn about appropriate chimneys for solid fuel and system design. The course discusses system components and installation techniques in relation to the various elements of a domestic structure.

ENTRY REQUIREMENTS

Compulsory: HETAS training course H003 Dry Appliance Installer course or HETAS training course H005DE Biomass Installer course.

QUALIFICATION

Successful candidates will receive a certificate of competence from HETAS, which is required in order to apply for registration on the HETAS Competent Persons Scheme (CPS) for the Installation of Twin Wall System Chimneys



BOOK ONLINE
www.schiedel.com/uk

H008

Dry Pellet Stove Installer Course

Practical Assessed | Duration 1 Day

WHO SHOULD ATTEND

Suitable for candidates who have successfully completed the H003 course and wish to expand their knowledge to include the installation of automated dry pellet stove appliances.

COURSE CONTENT

Candidates will learn about:

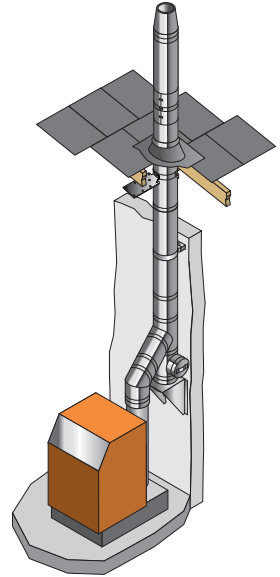
- Operating principles of automated pellet stoves.
- Dry pellet stove system design and specification.
- Dry pellet stove appliance selection.
- Installation and commissioning of dry pellet stove appliances.
- Handover, service and maintenance of dry pellet stove appliances.

ENTRY REQUIREMENTS

Compulsory: HETAS H003 Dry Appliance Installer course.

QUALIFICATION

Successful candidates will receive a HETAS certificate. Candidates can extend the scope of their knowledge on the installation of automated dry pellet stove appliances.



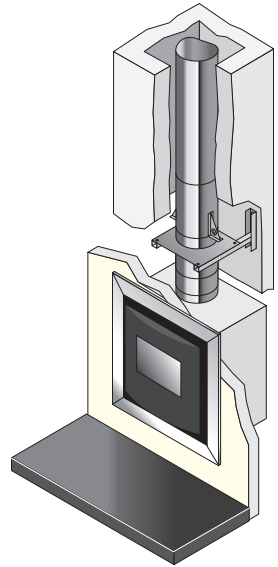
BOOK ONLINE
www.schiedel.com/uk

H009

Service & Maintenance Course

Duration 2 Days

Solid fuel appliances are well known for their high quality, robust construction and durability. However like any product in continuous use they do require attention by the user and routine servicing by an engineer. HETAS recommends that appliances are serviced at least once a year or according to the manufacturer's instructions. In support of the requirements, HETAS has launched a Service & Maintenance course designed to ensure engineers are equipped with the knowledge and practical skills to undertake such work.



WHO SHOULD ATTEND

The two-day practical course is ideal for businesses that don't wish to undertake installation work who have relevant experience including stove retailers, chimney sweeps, allied trades such as plumbing and heating installers, maintenance operatives and housing associations with housing stock using solid fuel as a primary heat source.

ENTRY REQUIREMENTS

At least one of the following:

1. Demonstrable, appropriate previous work experience on stove installations.
2. OFTEC technician with scope of work categories 101, 102 or 105e.
3. Registered Gas Safe operative with work categories CCNI & HTRI.
4. Registered member of GOMCS, APICS or NACS.
5. Plumbing and Heating Service/Maintenance engineer.

QUALIFICATION

Successful candidates will receive a training certificate enabling the candidate to apply for registration with HETAS on the Competent Persons Scheme (CPS) for the Service & Maintenance of appliances.

BOOK ONLINE
www.schiedel.com/uk

HETAS

Approved Retailer Course

Duration 1 Day

WHO SHOULD ATTEND

The HETAS Approved Retailer Course aims to ensure that approved retailers have at least one HETAS trained member of staff on duty in the showroom at all times to advise customers on appliances and a number of key issues including maintenance, carbon monoxide, government regulations and fuels. For the first time, HETAS is able to deliver the course in the retailer's own showroom for a group of four or more.

COURSE CONTENT

The one day course involves group discussions and interactive sessions aimed at giving learners an understanding of solid fuel types and appliances in terms of the factors affecting selection, storage as well as the legislation that applies to dwellings.

ENTRY REQUIREMENTS

None

QUALIFICATION

Allows the retailer to take advantage of the benefits of the HETAS Approved Retailer Scheme.

BOOK ONLINE
www.schiedel.com/uk

Background to Refresher Courses

HETAS, the Heating Equipment Testing 8: Approvals Scheme, are 'the official body recognised by the UK Government to approve Biomass & Solid Fuel Domestic Heating Appliances, Fuels & Services including the registration of competent installers'.

The Government Department of Communities and Local Government (DCLG) have put in place conditions for authorisation for Competent Persons Scheme (CPS) operators and their members. The scheme requirements will come fully into force as of June 2014.

One requirement of these conditions is to ensure that HETAS CPS registrants are kept up to date and will maintain their Minimum Technical Competence (MTQ.) The current and relevant MTC's require that Technical qualifications must be renewed on a 5 year cycle.

As a condition of registration on the HETAS Competent Persons Scheme (CPS), HETAS will therefore require that all registered installers must have completed either the relevant HETAS Course or the refresher course within the past 5 years as of June 2014.



WHAT IS A REFRESHER COURSE?

HETAS competent person's scheme (CPS) requirement is that HETAS CPS are kept up to date and will maintain their Minimum Technical Competence (MTC) the current and relevant MTC's require that technical qualifications must be renewed on a 5 year cycle.

HOW DO I KNOW WHEN I NEED TO PURSUE MY REFRESHER COURSE?

You will be advised by HETAS directly when you are due for a refresher

WHEN DO I NEED TO DO A REFRESHER COURSE?

You need to complete a Refresher Course every 5 years. You can confirm the same with Hetas and contact us to book your place.

H003 Refresher

Dry Installer Refresher Course

OPTION 1

ONE DAY – PRELIMINARY TEST AND THEN FULL PRACTICAL AND THEORY ASSESSMENT

Candidates choosing this route will receive the relevant course documentation, by registered post, two weeks prior to the exam. Candidates will attend the centre and sit a preliminary test, and if successful, can then proceed, on the same day, directly to the full Practical and Theory Assessment as per the current H003 exams. If unsuccessful in the preliminary test, then candidates will have to carry out the full two day Refresher Course option. Please contact the centre to discuss available dates for this option and costs.

OPTION 2

ONE FULL DAY OF TRAINING AND ONE DAY FOR PRACTICAL AND THEORY ASSESSMENT

Candidates will attend the centre and receive one full day of Training covering relevant updates to Building Regulations and/or BS/EN standards using the current H003 Training manual. On day 2 candidates will sit the full Practical and Theory Assessment as per the current H003 exams. If successful then candidates will receive the certification required to continue with their CPS registration. If unsuccessful, candidates will have the option to sign up for the full three day H003 Dry Installer training Course.

ENTRY REQUIREMENTS

Evidence of HETAS Certification to show successful completion of Solid Fuel Awareness Course or H003

Course and at least one of the following:

1. Evidence of OFTEC 101 or 102
2. Evidence of Gas Safe registration to CCN1 or CEN1
3. Registered membership of NACS, GOMCS or APICS
4. Evidence of previous appropriate work experience

Please note that in order to cover the installation of internal twin wall insulated Chimney Systems candidates will need to complete the separate H006 System Chimney Course.

BOOK ONLINE
www.schiedel.com/uk

H004 Refresher

Dry Installer Refresher Course

Duration 1 Day

COURSE CONTENT

Candidates will attend the H004 Training and Assessment Course – see p.8 for full information and entry requirements.

ENTRY REQUIREMENTS

Evidence of HETAS Certification to show successful completion of Engineers Course and evidence of successful completion of HETAS H003 Dry Appliance Installer course and at least one of the following:

1. Evidence of Oftec 101 or 102.
2. Evidence of Gas Safe Registration - CCN1 & CEN1
3. Evidence of formal qualification i.e City & Guilds 6129 and 6089, or QCF 6189; or other suitable award.
4. Evidence of equivalent work experience on wet heating systems.

Other courses

REFRESHER COURSES

We have other Refresher Courses available, which tend to be arranged based on numbers attending. We can also arrange courses for companies who wish to have a number of their employees trained in one course session. Feel free to contact us with the dates suitable for you.

FIRST AID COURSES

We also have First Aid at Work Courses, which are ideal if you are looking for more advanced First Aid training for hazardous environments.

BOOK ONLINE
www.schiedel.com/uk

The next steps - Registration with HETAS On completion of your training registering with HETAS couldn't be simpler.

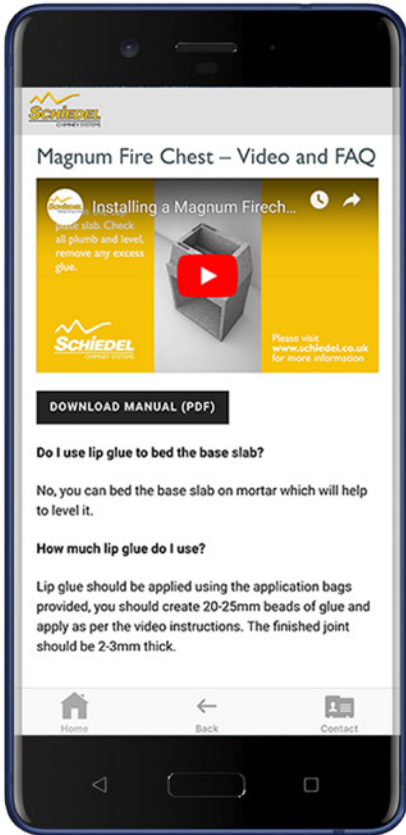
1. Once you've successfully completed the course you need and have the other relevant prerequisites visit www.hetas.co.uk or contact their friendly team on 01684 278170 to request an application pack. Complete and return to them via post or online with the requested supporting documents.
2. When all your completed documents have been received HETAS will process your application. They will check that the installers, retailers and sweeps have the correct insurance and procedures in place to look after their customers and ensure a safe working environment.
3. Once your application is processed HETAS will contact you if they need anything else. If you're applying to be an installer (MCS or CPS) there will be an inspection of one of your installations. The HETAS team will contact you to arrange a convenient date.
4. Congratulations - you're HETAS registered! Once your application has been approved your business will be searchable on www.hetas.co.uk and you'll receive a welcome pack with all of your registrant benefits.

SCHIEDEL INSTALLER REWARDS

Exciting news from Schiedel Chimney Systems for Stove and Chimney Installers! Whenever you register an installation with our easy to use, online guarantee registration portal, you will now accrue points based on the number of installations and installation type.



The Schiedel Installation App



Download the app today, as it offers a number of very useful guides on all aspects of installing an appliance using Schiedel Chimney Systems, including:

- Quick and straightforward reference for installers.
- Video breakdowns of each stage of the installation process, from connection to the appliance through to termination.
- Highlighting the safety critical areas where the chimney penetrates the floors, ceilings, roof and walls.
- Incorporates frequently asked questions information at each stage of the installation process, in line with building regulations.
- An easy-to-use system for downloading full product information and installation instructions.
- Register your Guarantee in the App.

The App is available in the App Store for Apple devices and the Google Play Store for Android devices.



Schiedel Training Academy
Crowther Estate
Washington
Tyne & Wear NE38 0AQ
Tel. +44 (0)191 416 1150

sales.uk@schiedel.com | www.schiedel.com/uk

A **standard**
INDUSTRIES COMPANY