



EARN SCHIEDEL
INSTALLER REWARDS!



Choosing The Right Flue For Your Appliance

The Schiedel Range for Professionals



DON'T FORGET TO REGISTER YOUR INSTALLATIONS
AND START EARNING SCHIEDEL INSTALLER REWARDS
See inside for more details

www.schiedel.com/uk

SAP Issue 5 940002143 April 2019

The Schiedel Product Range

There are essentially two parts to an effective chimney for a stove:

1. The Connecting Flue Pipe, connecting the stove to the chimney system or flexible liner.
2. The main chimney system, which can be composed of either:
 - a. A Chimney Liner (Rigid or Flexible) in an existing masonry chimney or
 - b. A System Chimney (Twin Wall Insulated) for a new building or for retrofit where the building does not have an existing chimney.

The purpose of this booklet is to guide you to the correct product for your stove.

Gas & Oil Appliances

CONNECTING FLUE PIPE - PRIMA PLUS

Prima Plus is a rigid single wall system designed for use as a connecting flue pipe. Available in 0.6mm thick High Grade 316L stainless steel, the system has been corrosion tested and is fully approved to BS EN1856-2.

By fitting Schiedel's lip seal to the groove in the male form, **Prima Plus** can be converted for use on condensing gas and oil appliances with continuous operating temperatures of up to 200°C and positive pressure of up to 200Pa at the appliance outlet.

Diameter range is Ø80 - 200mm*



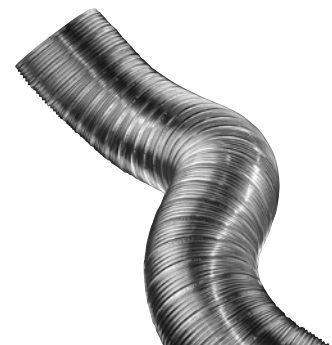
CHIMNEY LINERS - TRIPLELOCK & TECNOFLEX PLUS

Triplelock is a single wall stainless steel flexible flue liner designed for use with atmospheric gas and kerosene appliances where the flue gas temperatures do not exceed 260°C. Triplelock has been tested and approved to BS EN1856-2.

Diameter range is Ø100 - 125mm*

TecnoFlex Plus is a double wall stainless steel flexible flue liner and is the preferred flexible liner solution for use on condensing gas and oil appliances, due to its smooth inner liner, which offers minimal resistance to the flue gases. Tested and approved to BS EN1856-2 for use on condensing gas and oil appliances with continuous operating temperatures of up to 200°C and positive pressure of up to 200Pa at the appliance outlet.

Diameter range is Ø80 - 200mm*



TWIN WALL SYSTEM CHIMNEY - ICS

ICS is a twin wall insulated system chimney for use on gas and oil as well as wood and multi-fuel appliances.

By adding a lip seal to components with the male form on the liner, ICS is fully approved to EN1856-1 for use on condensing gas and oil appliances with continuous operating temperatures of up to 200°C and positive pressure of up to 200Pa at the appliance outlet.

Diameter range is Ø80 - 200mm*



* Larger diameters are available upon request.

Solid Fuel, Wood & Biomass Appliances

CONNECTING FLUE PIPE - PRIMA SMOOTH

Prima Smooth is the new stainless steel connecting flue pipe used to connect between a stove and a flexible chimney liner or rigid system chimney.

Prima Smooth is available in two material options:- 316L Grade stainless steel of either 0.6mm thickness or 1mm thickness, and in two colour options:- matt stainless steel finish, or with matt black high temperature painted finish. Both painted and unpainted options are fully tested and approved to BS EN1856-2.

Diameter range is Ø125 - 200mm

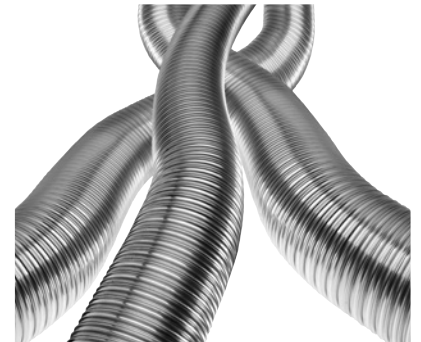


CHIMNEY LINERS - TECNOFLEX PLUS

TecnoFlex Plus is the UK's leading twin wall flexible liner for use on multi-fuel and wood burning appliances.

TecnoFlex Plus and its unique range of screw fit adaptors and terminals have been fully tested and approved to BS EN1856-2

Diameter range is Ø80 - 200*



TWIN WALL SYSTEM CHIMNEY - ICS

ICS is a twin wall insulated system chimney for use on wood and multi-fuel appliances, as well as on gas and oil appliances.

ICS is fully approved to EN1856-1 for use on open and closed stoves, open fires, residential and small commercial appliances with continuous operating temperatures of up to 450°C.

Diameter range is Ø80 - 200mm*



DM PUMICE BLOCK SYSTEM AND CHIMNEY LINERS

Schiedel Isokern DM block system is a high quality System Chimney for use on New Build Housing projects. **DM** is fully tested and approved to BS EN1858 for uses as a system chimney.

Diameter range is Ø150 - 345mm

Schiedel Pumice Flue Liner can be used for newbuild, extensions and relining existing chimneys.

The liner is available in 15 different sizes from diameter 150mm-1000mm

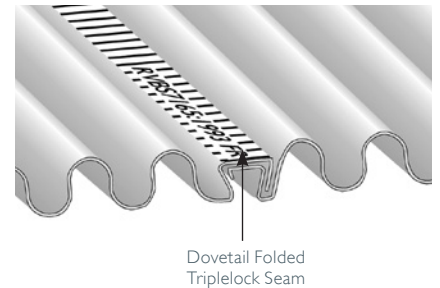


* Larger diameters are available upon request.

Triplelock – Chimney Liners for Gas & Oil Appliances

Triplelock is the leading single wall flexible chimney liner for use on gas and oil appliances.

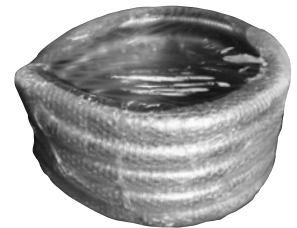
- Made from corrosion-resistant 316L stainless steel.
- Leak resistant construction due to dovetail folded seam.
- Highest corrosion resistance.
- Deep corrugations for high crush resistance and better flexibility when installing.
- Strong seam construction resists the rigours of pulling the liner into place during construction.
- Diameter range 100 - 125mm



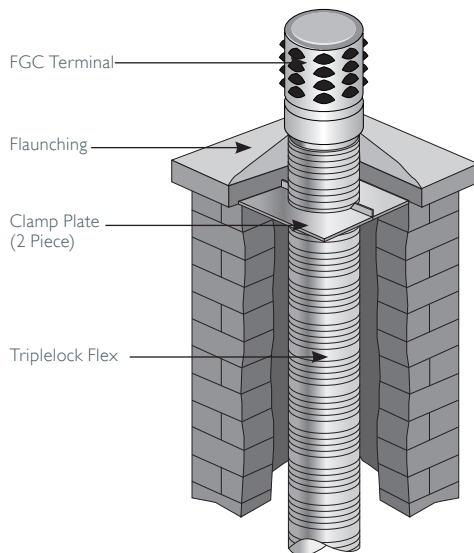
Triplelock is available in Shrink Wrap Packs (Ø 100 - 125mm only)

Length (m)	6	7	8	9	10	11	12	
Liner & Clamp Plate Ø100*	124513	124518	124522	124526	124631	124635	124488	
Liner & Clamp Plate Ø125*	SAP Code	125036	125043	125047	125051	12500	125004	125008
Liner, Clamp Plate & Terminal Ø125	-	-	-	125050	124999	125003	125007	

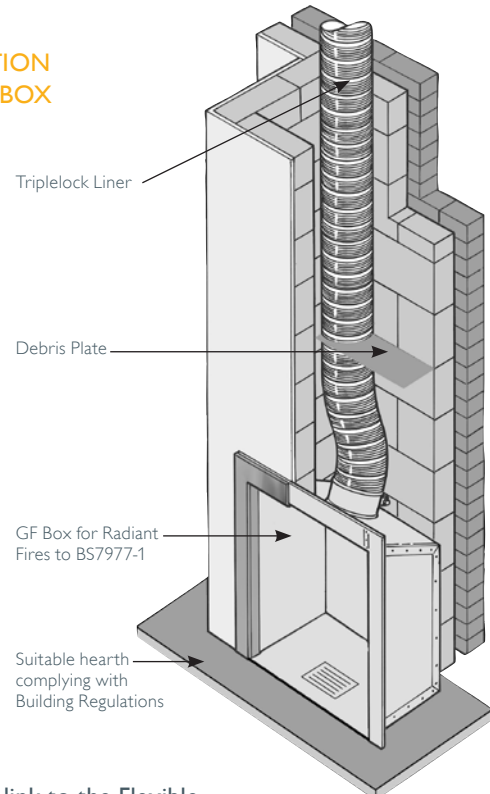
* When ordering these codes, a terminal must be ordered separately where required.



TYPICAL TERMINATION DETAIL



CONNECTION TO A FLUEBOX



APPROVALS



Triplelock is CE Certified to EN1856-2 TÜV 0036 CPR 9195 023 with designations:

High Temperature Applications
T200 P1 W V2 L50010 O T300 N1 W V2 L50010 O

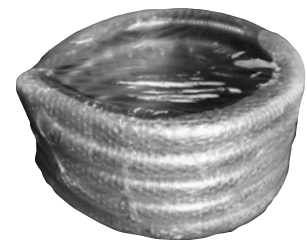
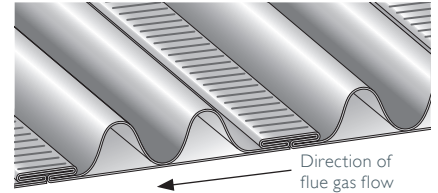
For a direct link to the Flexible Liners Brochure scan the QR code.



TecnoFlex Plus – Chimney Liners for Gas, Oil, Multi-fuel & Wood Burning Appliances

TecnoFlex Plus is the UK's leading stainless steel flexible chimney liner for use on condensing gas and oil appliances as well as multi-fuel and wood burning appliances.

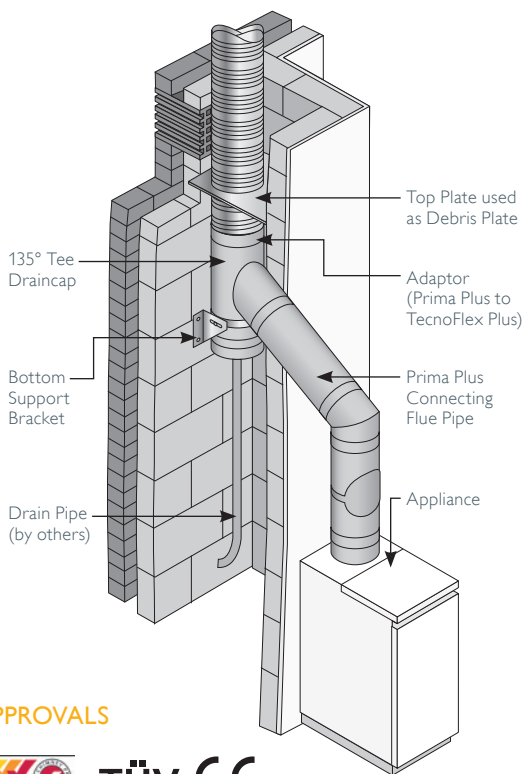
- Unique joint design for extra strength.
- Unique screw fit adaptors and terminals.
- Available in 316L and 904L variants.
- Single strip design with engineered overlap of joints.
- Diameter range 80, 100, 125, 150, 155, 180, 200mm



TecnoFlex Plus is available in Shrink Wrap Packs (Ø 125 - 155mm only)

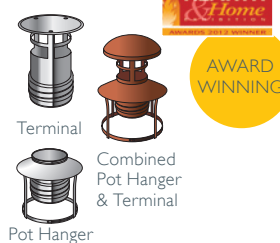
Length (m)		5	6	7	8	9	10	11	12
Liner only Ø125	SAP	125034	125040	125045	125049	125054	125002	125006	125010
Liner only Ø155	Code	125418	126420	126421	126422	126423	126396	126397	126398

TYPICAL CONDENSING APPLIANCE CONNECTION

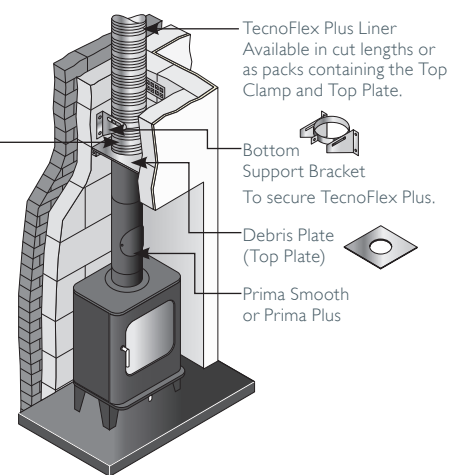
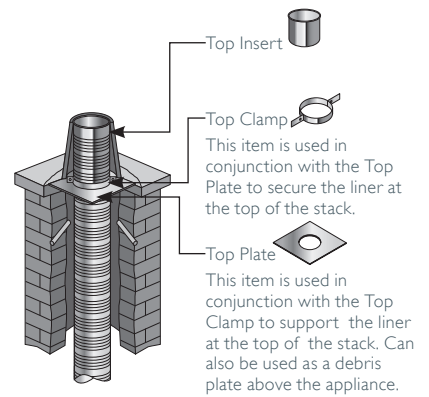
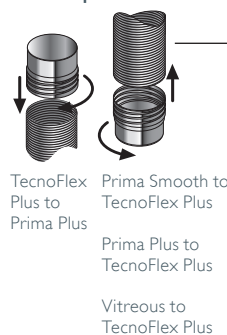


TYPICAL STOVE INSTALLATION

Screw fit range of Terminals



Screw fit range of Adaptors



APPROVALS



TecnoFlex Plus is CE Certified to EN1856-2 TÜV 0036 CPR 9195 035 with designations:

High Temperature Applications	
T600 N1 W V2 L50012 G	T200 P1 W V2 L50012 O
T600 N1 W V2 L70012 G	T200 P1 W V2 L70012 O

For a direct link to the Flexible Liners Brochure scan the QR code.



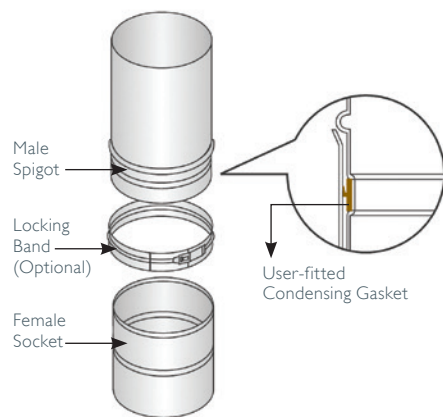
Prima Plus – Connecting Flue Pipe for Gas & Oil Appliances

Prima Plus is a high quality 316L Grade stainless steel single connecting flue pipe system designed for use on gas and oil appliances.

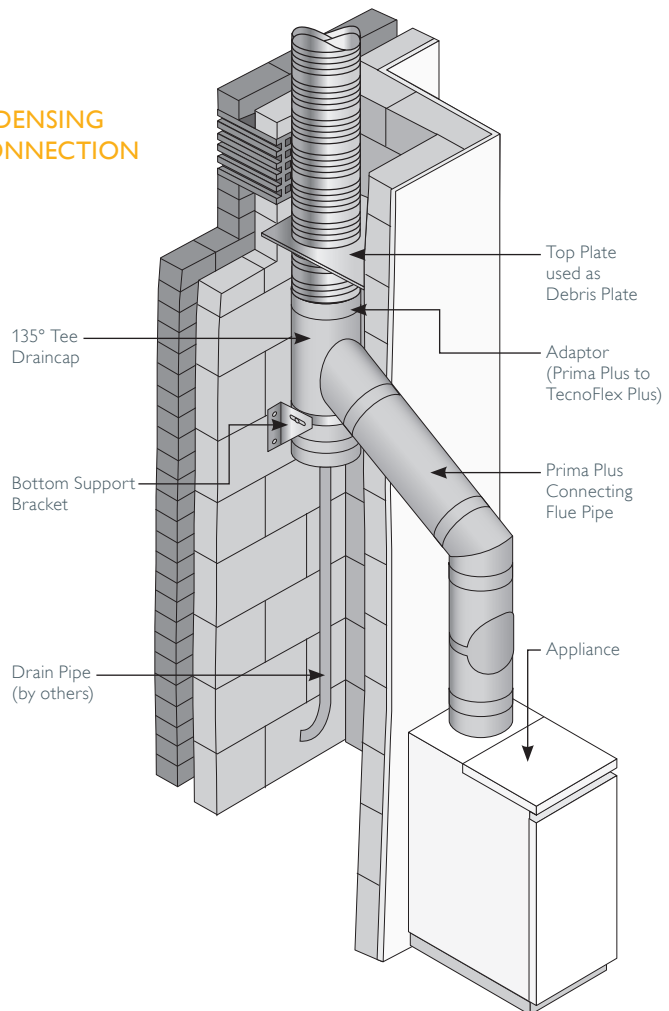
With the simple addition of a lip seal to the male spigot, the Prima Plus system can be used on condensing gas and oil appliances with continuous operating temperatures of up to 200°C and positive pressure of up to 200Pa at the appliance outlet.

- Simple push fit connection.
- Easy to fit lip seals for condensing applications.
- Advanced corrosion resistant design.
- Diameter range 80 - 200mm

JOINTING SYSTEM



TYPICAL CONDENSING APPLIANCE CONNECTION



APPROVALS



Prima Plus is CE Certified to EN1856-2 TÜV 0036 CPR 9195 017 with designations:

Low Temperature Applications

Connecting Flue Pipe T200 P1 W V2 L50060 O 200M

- Manufactured under a Quality Management Scheme approved to BS EN ISO 9001: 2008
- Certified for corrosion resistance on gas, oil and solid fuel by MPA and TÜV
- HETAS listed for use on solid fuel applications.

For a direct link to the Prima Plus page on the website scan the QR code.

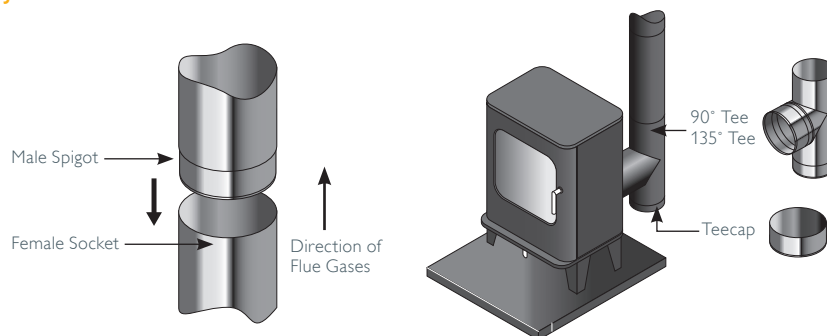


Prima Smooth – Connecting Flue Pipe for Solid Fuel & Wood Burning Appliances

Prima Smooth is the new stainless steel connecting flue pipe for use as an attractive and functional alternative to vitreous enamel.

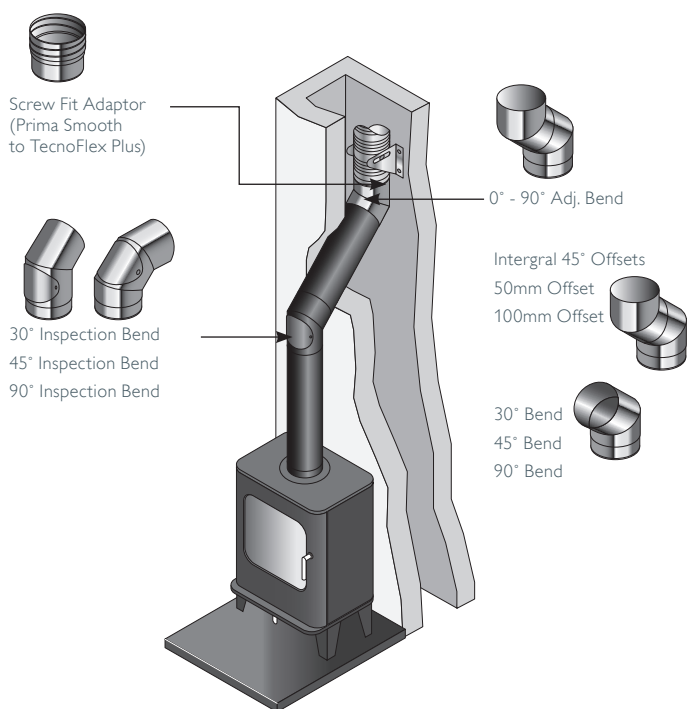
- 316L Grade Stainless Steel
- Attractive appearance
- Lightweight
- Available in matt black or steel finish
- Diameter range 125 - 200mm
- Available in 0.6mm and 1mm options

JOINTING SYSTEM



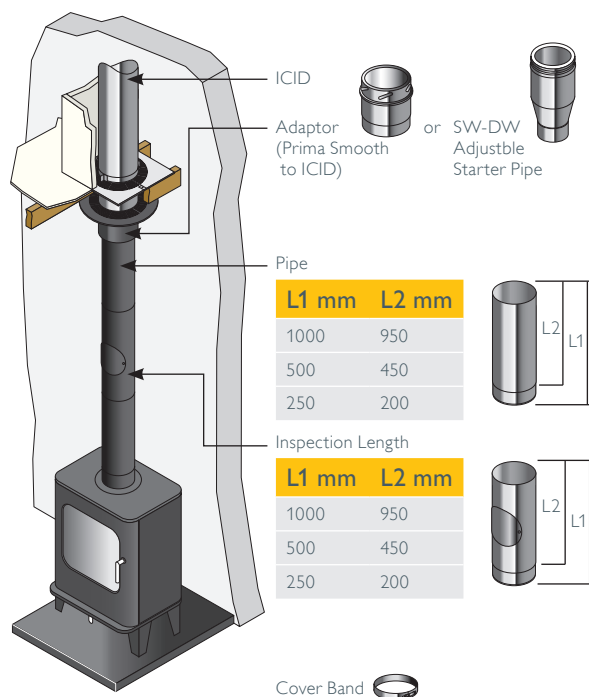
EXISTING MASONRY CHIMNEY

Prima Smooth connecting to Tecnoflex Plus Chimney Liner



NEW SYSTEM CHIMNEY

Prima Smooth connecting to ICID
 - Top outlet
 - Rear outlet



APPROVALS



Prima Smooth is CE Certified to EN1856-2 TÜV 0036 CPR 9195 029 with designations:

High Temperature Applications

T600 N1 W V2 L50050 GXX NM
 T600 N1 W V2 L50100 GXX NM
 (XX = 3 x Ø Int. of Pipe)

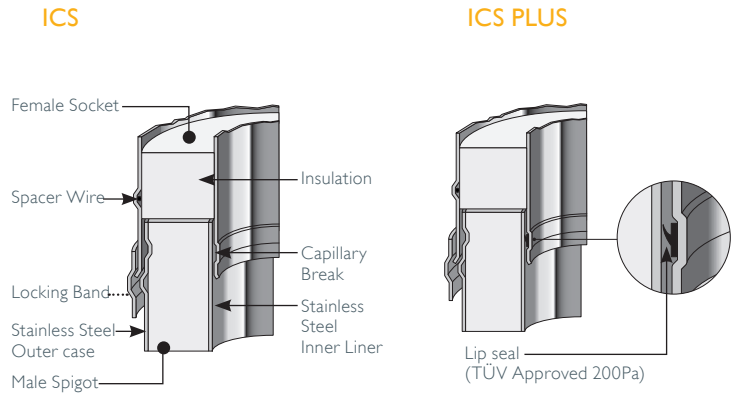
For a direct link to the Prima Smooth page on the website scan the QR code.



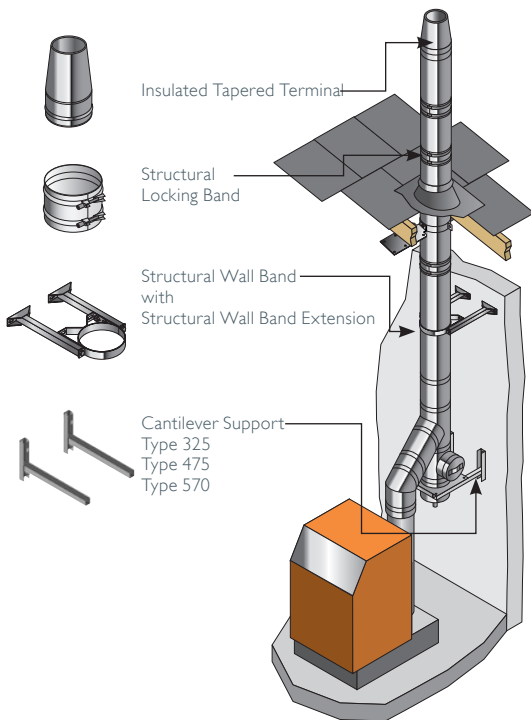
ICS – System Chimney Gas, Oil, Multi-fuel & Biomass Appliances

The twin wall insulated system chimney purpose designed to provide solutions to your flueing requirements, on applications from condensing boilers through to multi-fuel appliances.

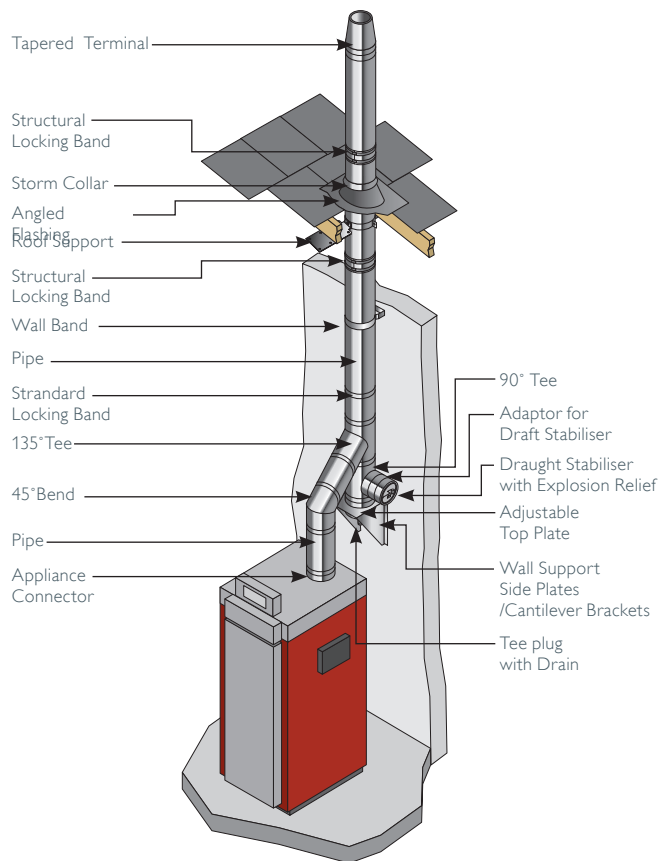
- Simple push fit joint system
- Advanced corrosion resistant design
- Capillary break prevents moisture being drawn through joint
- No thermal bridge
- High efficiency Superwool blanket insulation



TYPICAL BOILER INSTALLATION



TYPICAL BIOMASS INSTALLATION FROM TOP OUTLET



APPROVALS



ICS is CE Certified to EN1856-1 TÜV 0036 CPR 9195 001 with designations:

- Kitemarked to BS4543 Parts 2 & 3 for gas, oil and solid fuel (Ø 80mm - 200mm inclusive)
- Manufactured under a Quality Management Scheme approved to BS EN ISO 9001: 2008
- 4 Hour Fire Rating to BS476 Part 20
- Certified for corrosion resistance on gas, oil and solid fuel by MPA and TÜV
- HETAS listed for use on solid fuel applications.

High Temperature Applications		Low Temperature Applications
T450 N1 W V2 L50050 G60	T450 N1 W V2 L50050 G50	T200 P1 W V2 L50050 000
T450 N1 D V3 L50050 G60	T450 N1 D V3 L50050 G50	
60mm distance to combustibles in a combustible shaft	50mm distance to combustibles in a non combustible shaft or in free air	Zero distance to combustibles

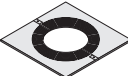
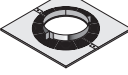

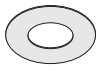
DISTANCE BETWEEN ICS & COMBUSTIBLE MATERIAL

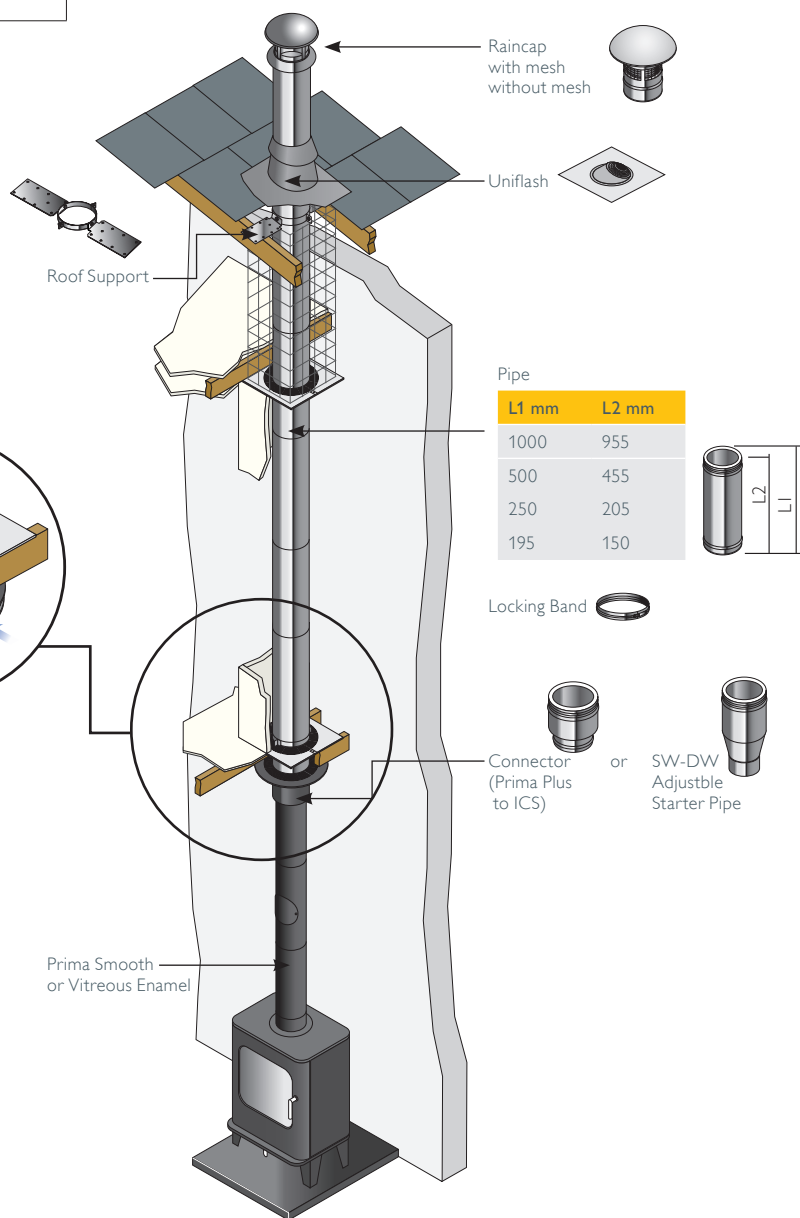
In accordance with building regulations its is essential that the correct distance to combustible material is maintained. The distance is dependent upon the fuel used by the appliance and if the flue is in a combustible or non-combustible shaft. The approved minimum distances for ICS are as follows:

Fuel	Shaft & floor made from combustible materials	Shaft & floor made from non-combustible materials
Wood/Solid Fuel	60mm	50mm
Oil & Gas > 200°C	50mm	50mm
Oil & Gas < 200°C	0mm	0mm

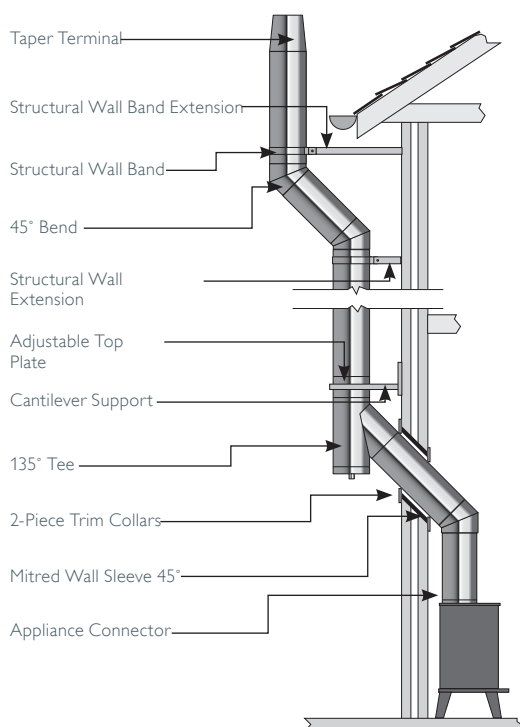
TYPICAL INTERNAL INSTALLATION WOOD/MULTI-FUEL APPLIANCE

Ventilated Firestop Plates – Combustible floor

-  Rectangular Ventilated Firestop Plate
2 piece
-  Ventilated Support Plate
2 piece
-  Round Ventilated Firestop Plate
1 piece
Finish Options:
Plain Galvanised Steel
Black RAL 9005 (Matt)
White RAL 9016 (Matt)
-  **OPTIONAL**
Magnetic Firestop Cover
Finish Options:
Plain Galvanised Steel
Black RAL 9005 (Matt)
White RAL 9016 (Matt)



TYPICAL EXTERNAL INSTALLATION



For a direct link to the ICS Brochure scan the QR code.



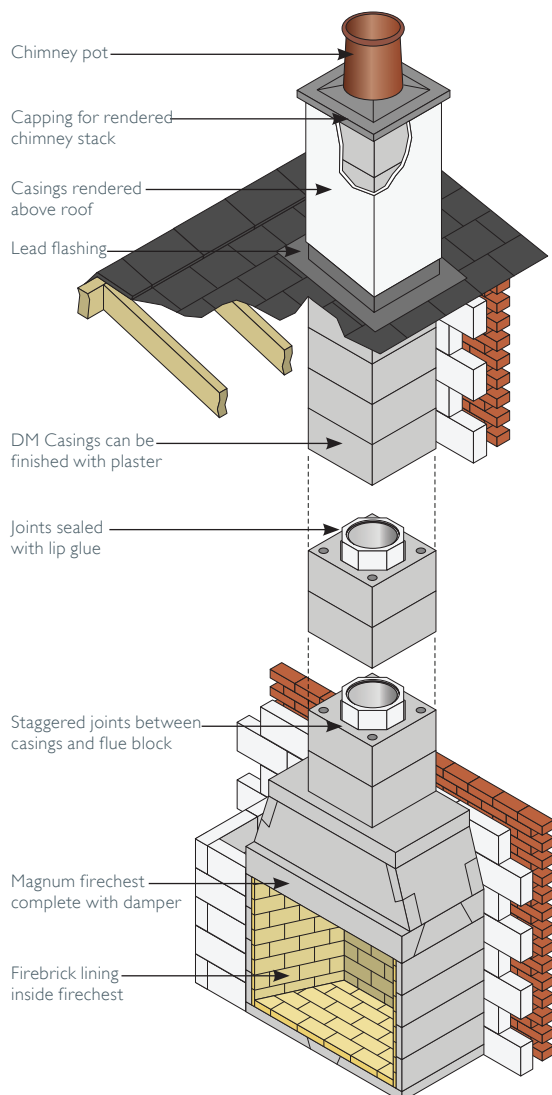
DM Double Module Block for Stoves, Inserts, Open Fires & Cookers

Available in Ø150 - 345mm

- Quick and easy to assemble
- Lightweight materials, easy to handle
- Highly insulating pumice for better draw and minimum heat loss
- Staggered joints for maximum safety and stability
- Air gaps between outer casing and flue prevents surface staining
- Good resistance to temperature variations gives the maximum performance for your appliance

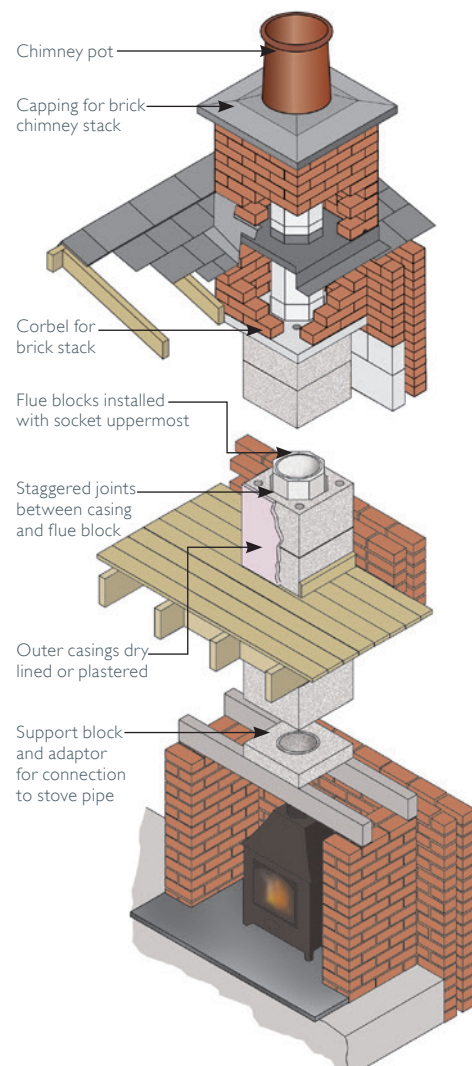


LARGE FIRE OPENING CREATED WITH MAGNUM FIRECHEST



FREE STANDING STOVE IN A RECESS.

System includes a Stainless Steel adaptor for ease of connection between the stove and the DM Chimney.



Liner System – for new and existing chimneys

The pumice liner system comes in a range of 15 diameters from 150mm to 1000mm with T Liners, Liner Support Blocks, and Adaptors for ease of connection to the appliance.

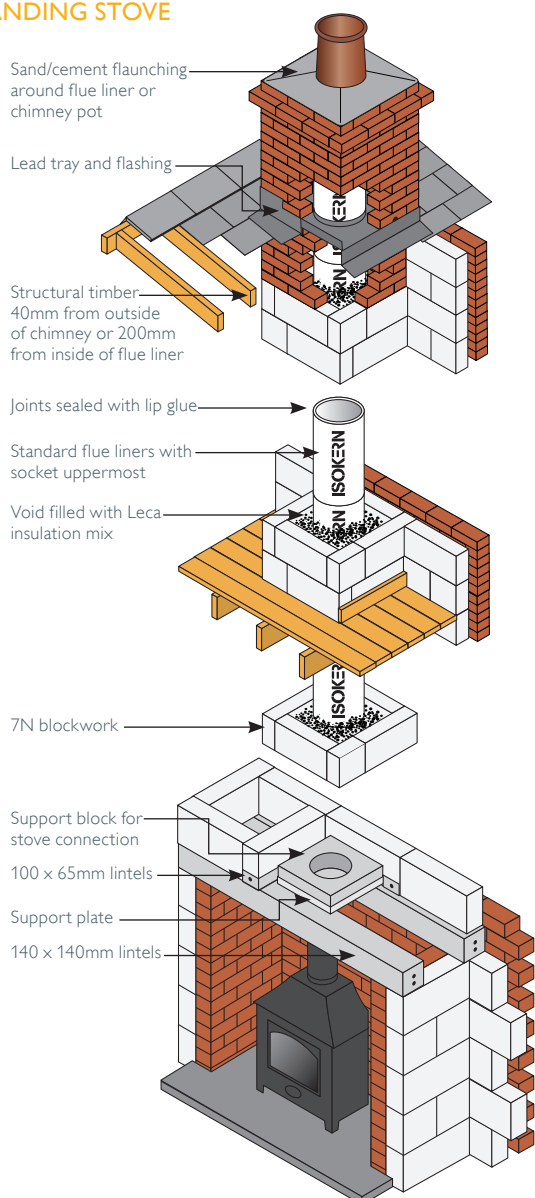
The insulated flue liner for traditional build

Suitable for use with inserts, stoves, open fires and solid fuel/oil cookers.

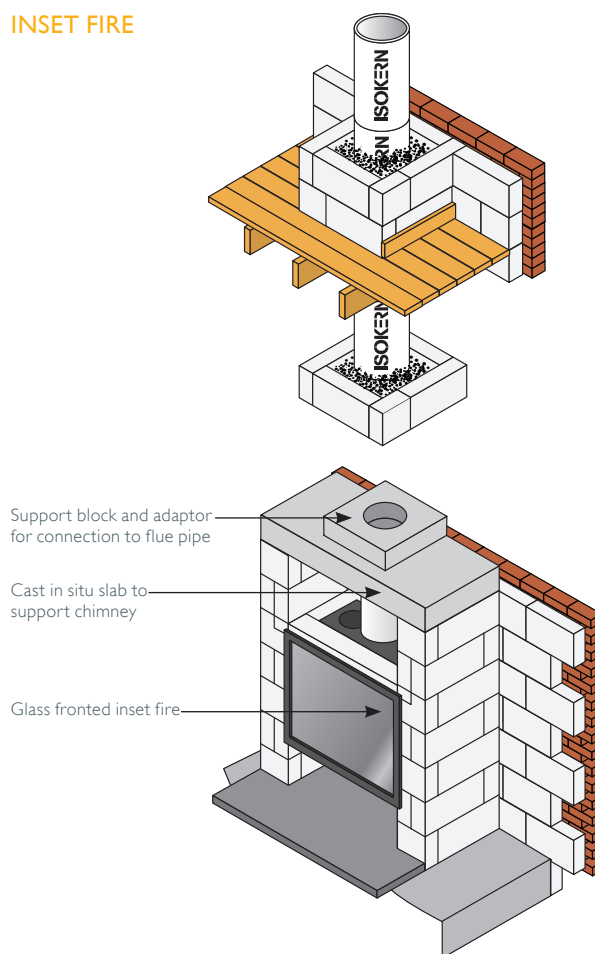
- Lightweight materials, easy to handle
- Highly insulating pumice for better draw and minimum heat loss
- 600mm and 1000mm lengths mean fewer joints and fast to install
- 15 flue sizes available
- Good resistance to temperature variations gives the maximum performance for your appliance



FREE STANDING STOVE



INSET FIRE



For a direct link to the Isokern Brochure scan the QR code.



Complementary Products And Services From Schiedel Chimney Systems



ICS

Twin Wall Insulated System Chimney for gas, oil and multi-fuel applications.

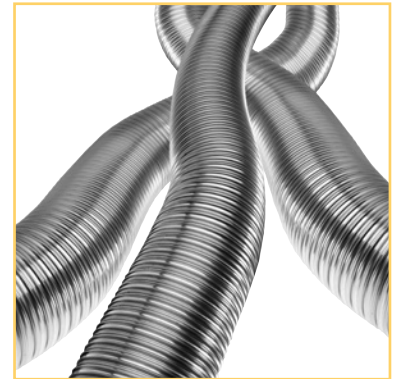
- Capillary break prevents moisture being drawn through the joint
- 80-300mm Diameter range



PRIMA PLUS

Single Wall Stainless Steel Flue System

- Prima Plus available 0,6mm or 1mm options for domestic multi-fuel stoves
- Prima Plus for large residential & commercial condensing gas & oil appliances & chimney relining
- 80-300mm Diameter range



TECNOFLEX PLUS

For relining existing chimneys to take gas, oil, wood, multi-fuel appliances and open fires.

- Twin skin TecnoFlex Plus available in 316L or 904L options
- 80-300mm Diameter range



PRIMA SMOOTH

Single Wall Stainless Steel Connecting Flue Pipe for use on wood and multi-fuel applications.

- 316L Grade stainless steel
- Available in matt black or steel finish
- 125-200mm internal diameters



B VENT

Twin Wall Gas Vent System.

- Residential & small commercial applications
- Gas appliances up to 60kW input
- 100-150mm internal diameters



DM & LINERS

Pumice System Chimneys, Firechests and Liners.

- Pumice is a natural insulator, able to maintain the temperature of flue gases
- Lightweight – allowing one person to lift and build the chimney units
- Pumice expands and contracts less with temperature change than other chimney systems.




Schiedel Chimney Systems
Crowther Estate
Washington
Tyne & Wear NE38 0AQ
Tel. +44 (0)191 416 1150

sales.uk@schiedel.com
schiedel.com/uk

SCHIEDEL INSTALLER REWARDS

Exciting news from Schiedel Chimney Systems! Whenever you register an installation with our easy to use, online guarantee registration portal, you will now accrue points based on the number of installations and installation type to redeem for Love2Shop vouchers!



LOVE2SHOP

Follow us on Social Media @SchiedelUK



A standard
INDUSTRIES COMPANY