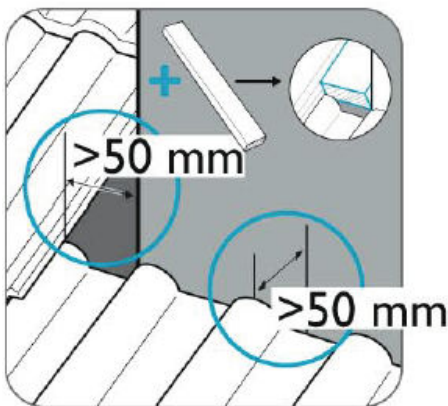
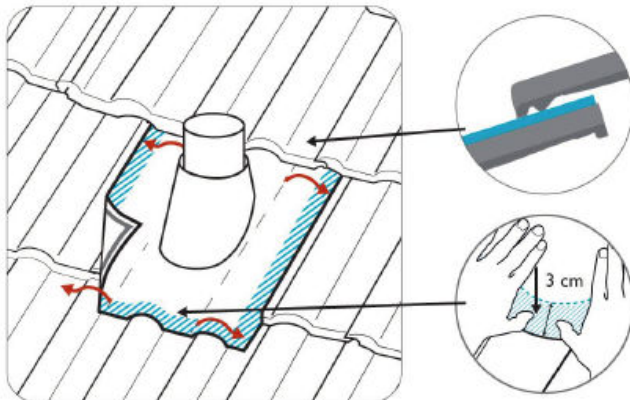


Universal Wakaflex flashing

General installation rules



- Please ensure Wakaflex flashing is only laid down on a dry and dust-/oil-/fat-/silicone- and ice-free surface.
- Please ensure, that the non-supported gap between tiles and any rised building parts is less than 50 mm otherwise install additional support.
- For profiled tiles the overlap of Wakaflex has to follow over the next hip to the end of the water channel. With plain tiles the overlap has to be at least 120 mm (recommended application as soakers).
- The minimum overlap of two pieces of Wakaflex (e.g. for extending) has to be at least 50 mm. Don't make the joint within the channel.
- Water traps and standing water have to be avoided.
- Wakaflex is incompatible with the following substances:
- Bitumen, tar, turpentine, petrol, fat, nitro-paint thinner, oil, hydrochloric acid, tetrahydrofuran.

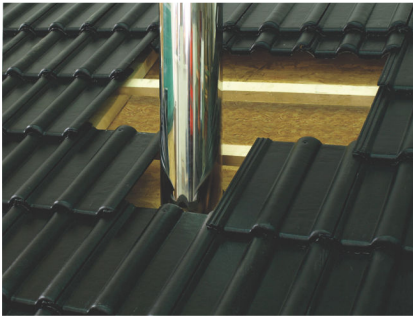


Mold on Wakaflex flashing to the tiles on the left and right of the outlet (from hip to the water channel).

Attach Wakaflex flashing properly to the roofing material in the area where the butyl strip is located (3 cm from the edge).

Please note Wakaflex has to be laid under the next tile (ridg sided).

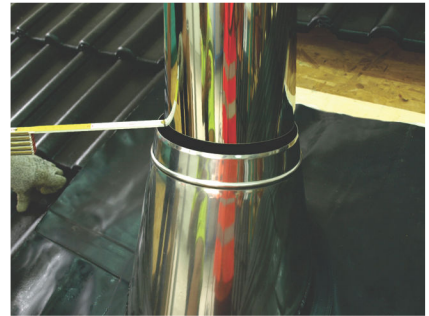
Installation procedure



1. First step: chimney pipe is installed through the roof. Leave a line of roof tiles above the chimney uncovered.



2. Position the Wakaflex flashing over the chimney.



3. Center the flashing by measuring distance from the chimney to the perimeter on the edge of the cone.



4. Tear off the foil on bottom edge and press the flashing slightly to the tiles to retain the flashing's position.



5. Mold on Wakaflex flashing on to the tiles to bottom, left and right side of the channel (from hip to water channel).



6. Use the roller to press the Wakaflex firmly to the tiles to ensure a tight connection.



7. Cut to length and nail down the batten over rafters located to the left and right side of the chimney



8. The batten should be nailed 5 cm below the upper edge of the Wakaflex membrane.



9. Fold the side edge of the membrane up to form drainage barrier.



10. Fold the membrane upwards to form a gutter to prevent water penetration into the roof structure.



11. Lay the Wakaflex membrane on to the batten and fix in place with nails on the right hand side, left hand side and in the centre.



12. Cut roof tiles to appropriate shape to fit around the cone of the chimney.



13. Fit the upper row of the roof tiles.



14. Finished installation of Wakaflex flashing.



15. Install a storm collar and tighten the screw to fit tightly to the chimney pipe.



16. Apply a silicone mastic to the joint between the collar and the chimney.



17. Install terminal and secure it with locking band.



18. Finished installation of Wakaflex flashing and chimney terminal.